

# Classic

chrome finish radiator valves



altecnic

# Classic chrome finish radiator valves



## Design

The Classic thermostatic radiator valve, lockshield valve and radiator vent are of durable construction giving dependable performance for building services and domestic applications.

The chrome finish of the valves is ideal for designer interiors, period decors or restoration projects.

The inlet connection to both the thermostatic radiator valve and lockshield valve is compression, for use with half hard R250 copper tube, and the outlet connection is a union tailpipe with ½" external pipe thread to BS EN 10266.

## Thermostatic Radiator Valves - TRV

Thermostatic radiator valves are typically used for regulating the flow to radiators of central heating systems.

The thermostatic controller contains a liquid filled element which automatically controls the opening of the valve to keep the ambient temperature of the room at the set temperature.

This prevents temperature fluctuations in the room and achieves considerable energy savings.

The thermostatic controller has a '0' setting which prevents flow but when positive isolation is required the manual cap must be used.

The frost setting prevents the radiator and pipework from freezing and causing damage from flooding to floor coverings and structural items.

**Note:** For the frost setting to operate the heating system must be switched on.

## Materials of Construction

Component	Material	Grade
Body	Brass	BS EN 12165 CW614N
Union nut	Brass	BS EN 12164 CW617N
Tailpipe	Brass	BS EN 12165 CW614N
Compression nut	Brass	BS EN 12164 CW614N
Olive	Brass	
Seals - 'O' rings	EPDM	
Handwheel	Polymer	
Indicator scale	Brass	BS EN 12164 CW614N
TRV cartridge cover	Brass	BS EN 12164 CW614N
TRV insert assembly	Brass	BS EN 12164 CW614N
TRV isolation cap	Polymer	
Lockshield insert	Brass	BS EN 12164 CW614N
Lockshield stem	Brass	BS EN 12164 CW614N
Lockshield cover	Brass	BS EN 12164 CW614N

Altecnic Ltd Mustang Drive, Stafford, Staffordshire ST16 1GW

T: +44 (0)1785 218200 E: sales@altecnic.co.uk

Registered in England No: 2095101

altecnic.co.uk

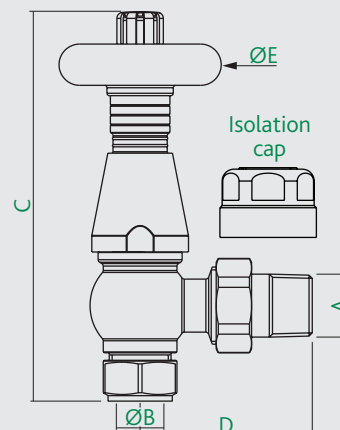
AL 387 30-11-20

E & O.E

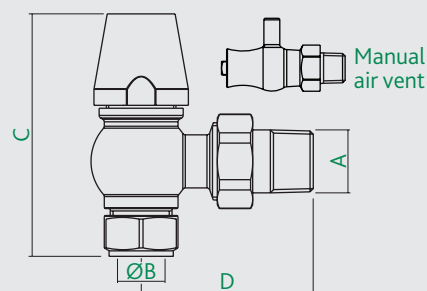
© Altecnic Limited. 2020

ALTECNIC™

## Dimensions



Ref No	A	B	C	D	E	kg
YU-JQAL031LC	R½	15	139	56	55	



Ref No	A	B	C	D	kg
YU-JQAL031LC	R½	15	84	56	

## Product Code

## Description

A pair of angle pattern radiator valves including a thermostatic radiator valve, matching lockshield valve and radiator manual air vent.

## Technical Specification

Max. working pressure(static):	10 bar
Max. temperature:	100°C
Medium:	water, glycol solution
Max. percentage glycol:	30%

## TRV Specification

Max. differential pressure:	1 bar
Scale of adjustment:	0 to 5
Temperature adjustment range:	12 to 30°C
Max. ambient temperature:	50°C
Frost setting:	7°C
Liquid filled element	
Positive isolation	

altecnic